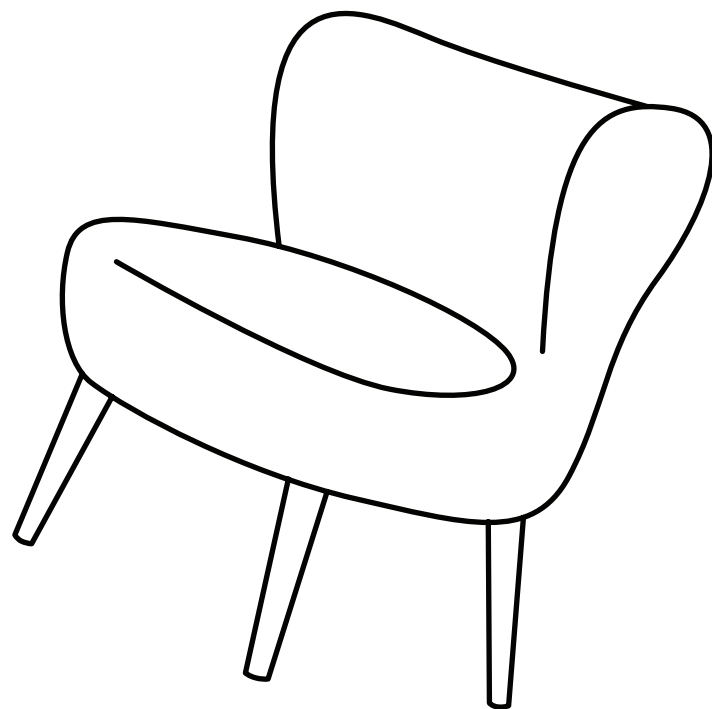
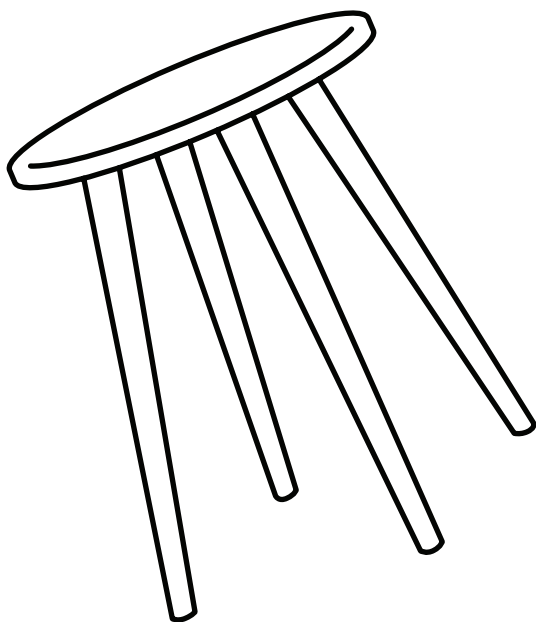


# Hello, I've arrived!

Now that I'm here you are only one  
flat-pack away from transforming  
your home.



**Mocka.**

# Thank you for supporting us.

We believe design belongs to everyone. From materials and processes to safety testing, production and delivery, we are passionate and committed to bringing you the best possible product so you can create beautifully functional spaces to feel comfortably you.

## Here are a few assembly tips before you get started:



### Make Time

The first step to all seamless assembly is taking a moment to carefully read through the instructions—you are already on your way to creating a beautifully functional space!



### Set The Mood

Put on your favourite playlist, order that pizza and pour yourself a drink to get in the mood!



### Tool Check

Layout the instructions, screws and panels to check you have everything you need. A blanket or soft floor rug will help protect your new favourite item from scratches and a drill will speed up the assembly too!



### Room Reveal

You did it! Take a step back and enjoy the moment. Don't forget to recycle any packaging and share a pic of your room reveal—we love seeing how you transform your home! **Tag us @mockaaustralia/@mockaanz**

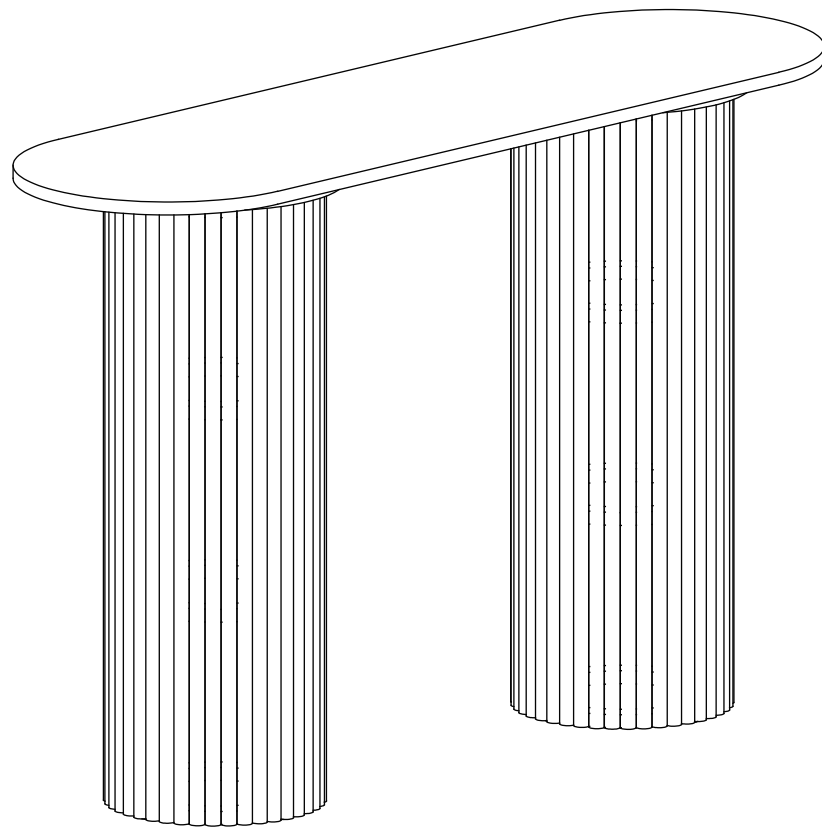
Happy flat-packing!

*The Mokka Team*

# Eve

## Console Table

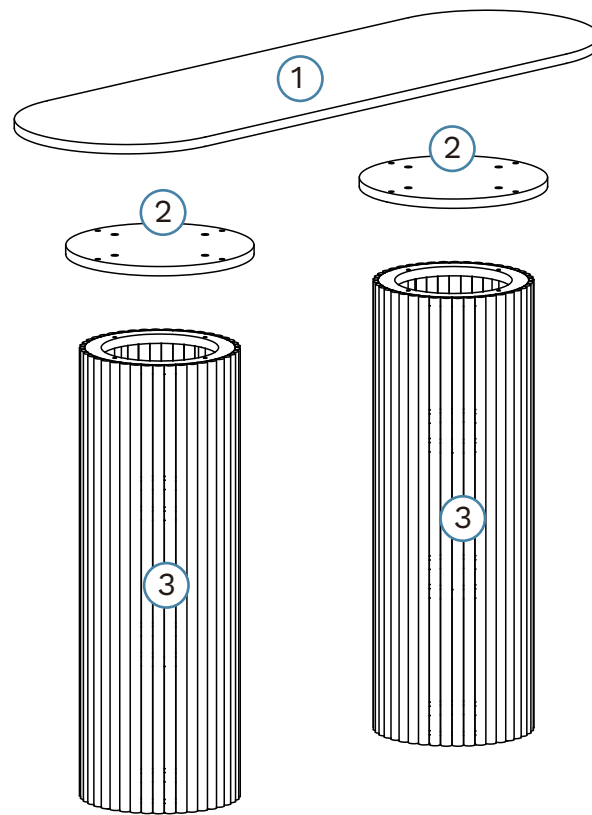
Thank you for your purchase. Please follow the instructions for correct assembly. While we took great effort to ensure these assembly instructions were correct at the time of printing, sometimes updates are required post production. For the most up to date versions please refer to the product page on our website. [mocka.com.au/mocka.co.nz](http://mocka.com.au/mocka.co.nz)



# Eve

Console Table

## Panel Layout

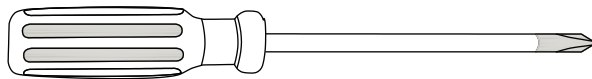
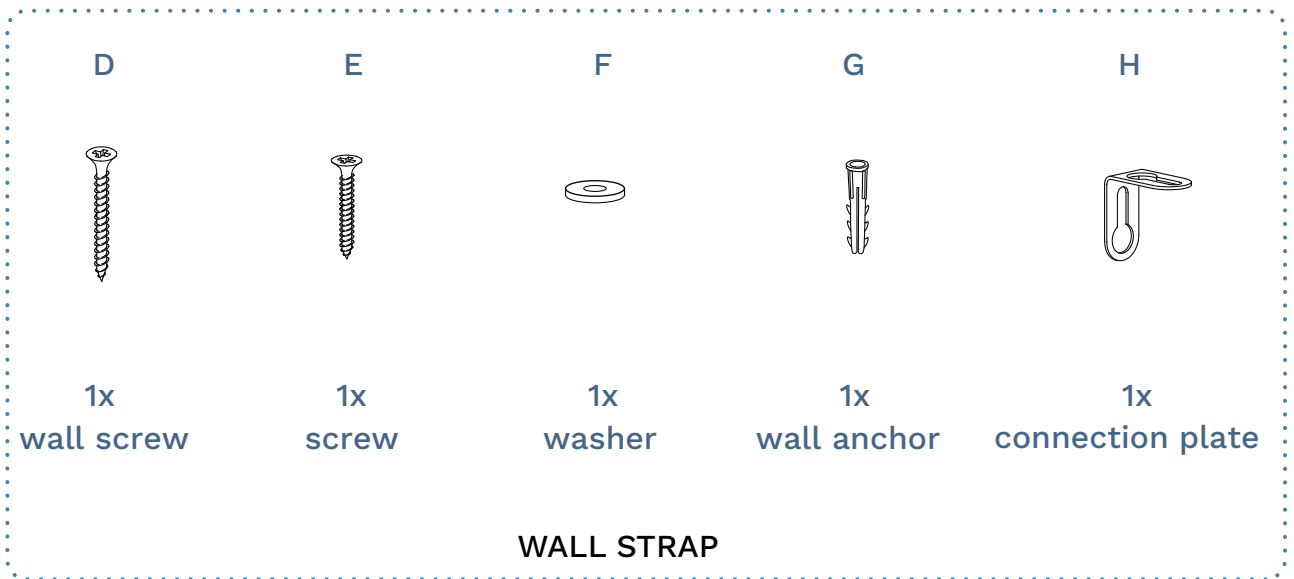
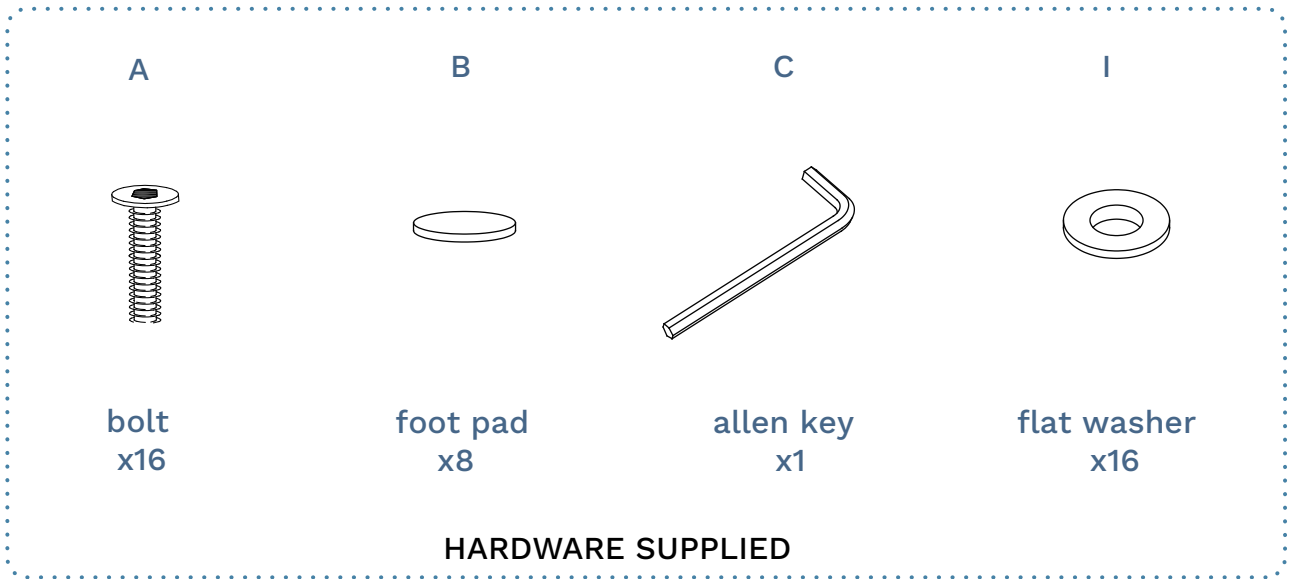


## Partlist

①	Top Panel	x1
②	Connecting Panel	x2
③	Base	x2

# Eve

## Console Table

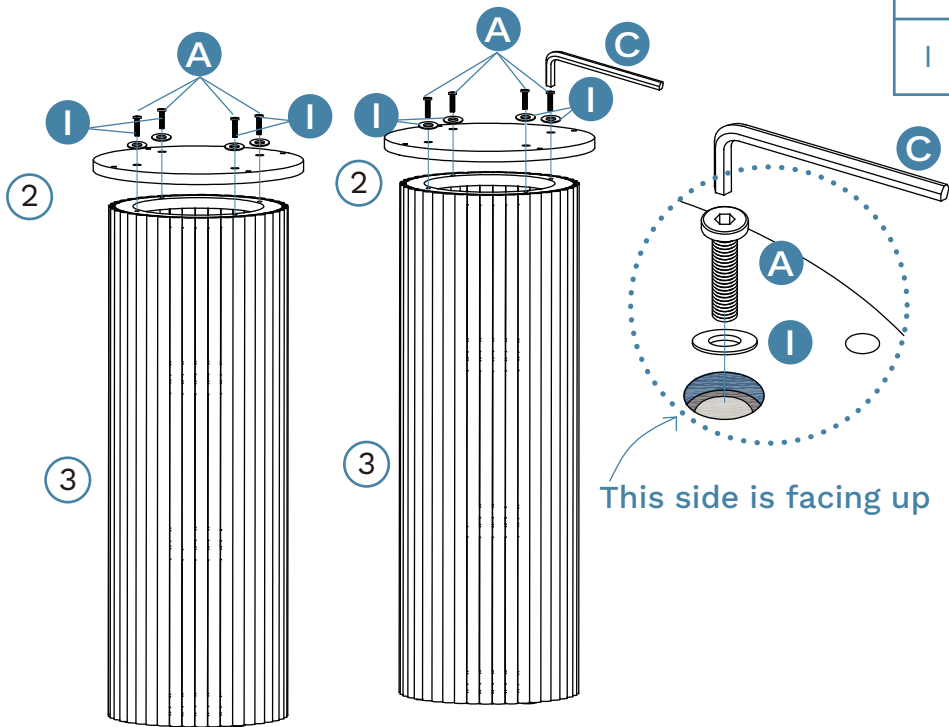




Phillips screwdriver required  
For quicker assembly, we recommend the use of a power drill on a low-speed setting.

# Eve

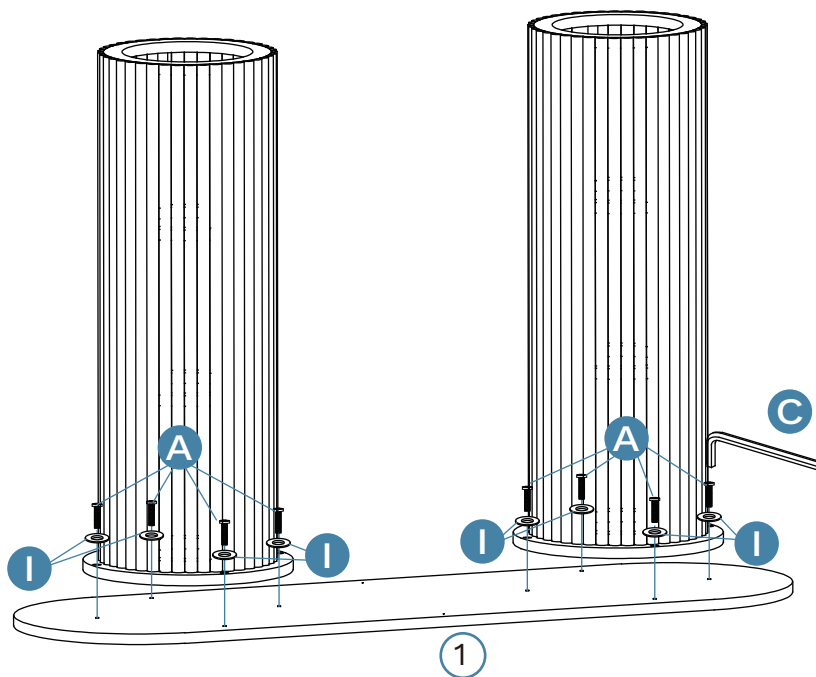
Console Table



1



Hardware Needed		
A		x8
I		x8

2



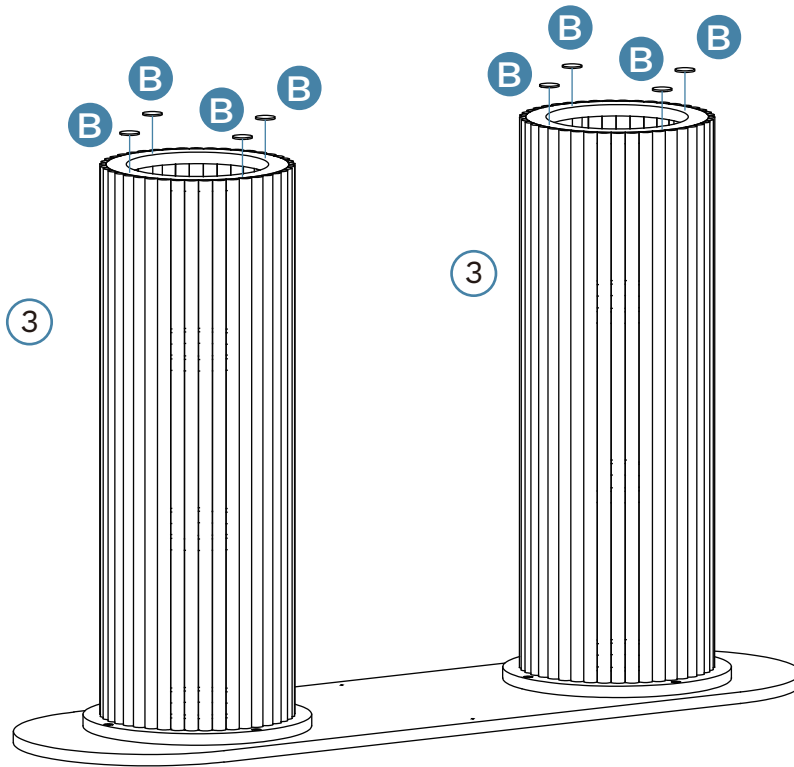
Hardware Needed		
A		x8
I		x8


NOTICE: DO NOT OVERTIGHTEN THE SCREWS!

# Eve

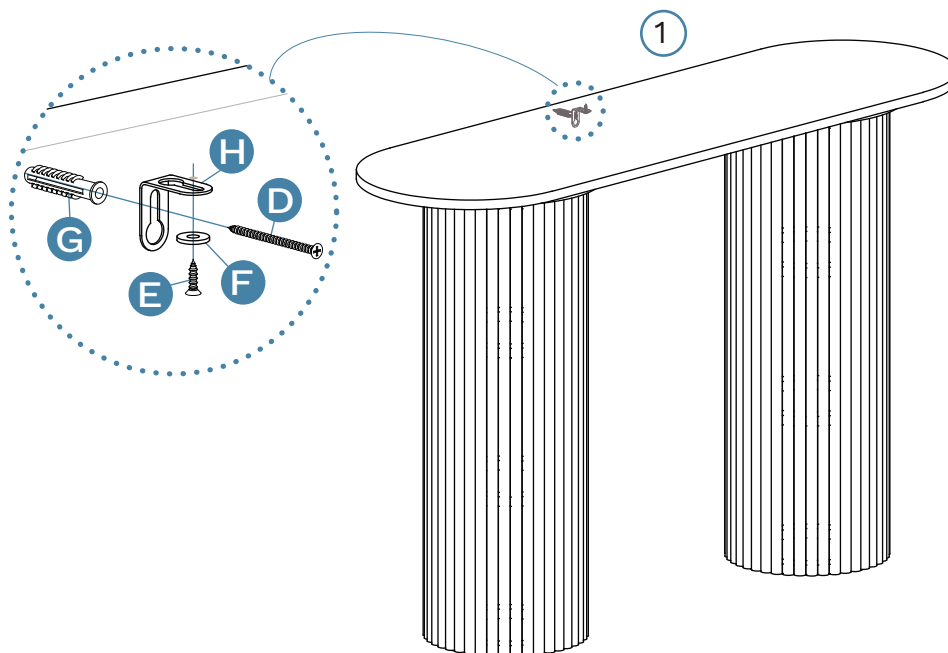
## Console Table

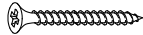


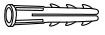

3



Hardware Needed		
B		x8

4



Hardware Needed		
D		x1
E		x1
F		x1
G		x1
H		x1

Once assembled lift furniture into place, do not drag. Attach connection plate to the top panel with 1x washer (F) and 1x screw (E). Use a drill to create a small hole lining up with the connection plate (H). Fasten to wall using 1x wall anchor (G), 1x wall screw (D). Ensure unit is balanced and steady before use. You're done, enjoy!